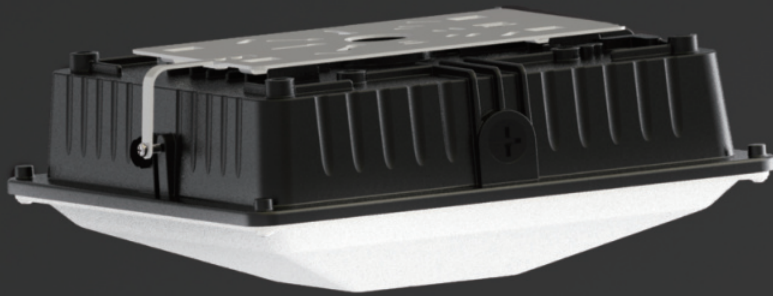




Quality, Honesty, Service and Innovation



**ID** **-SERIES**

**LED GARAGE CANOPY LIGHT**

UP TO **130W LM/W**

**200W MHL REPLACEMENT**

● **POWER: 40W/60W**

**EXPERTS WITH  
PROFESSIONAL SOLUTION**

[WWW.AOKLEDLIGHT.COM](http://WWW.AOKLEDLIGHT.COM)

## LED GARAGE CANOPY LIGHT

### APPLICATION

- Premium Square Garage Light with low-glare illumination and high-energy efficiency.
- AOK iD series Canopy Garage Light is a low-profiled fixture with high-design elements. This series was designed with performance and aesthetics in mind for an excellent value.

### PERFORMANCE

- Lumens per Watt (LPW): Up to 130lm/W
- Advanced garage optic designed for throwing light in the right places

### DURABLE

- Silver industrial grade powder coat finish
- IP65 rated ready for tough environments
- Operating temperature rating of -40°F to 122°F (-40°C to 50°C)

### OPTIONS FOR EVERY GARAGE

- Beauty plate retrofitting incumbent technology
- Glare shield for reducing motorists glare
- Integrated Smart occupancy sensor

### RECOMMENDED USE

- Parking garages
- Security and perimeter lighting
- Exterior canopies

### CERTIFICATIONS/LISTINGS



up to 130lm/w

**IDA SERIES**



up to 130lm/w

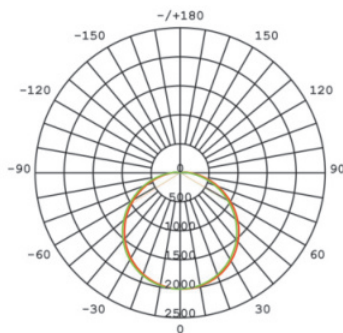
**IDB SERIES**



#### Fixture Specifications

HOUSING	Silver Powder Coated Aluminum Gray polyester
LENS ASSEMBLY	UV-stabilized acrylic polymer with polycarbonate lens with precision individual optics for uniform illumination
MOUNTING	Intended to be surface mounted or pendant mounted for use with conduit or pipe having 1/2" NPT thread

### PHOTOMETRY

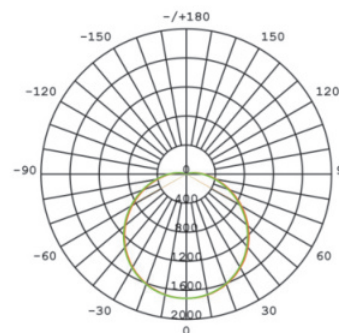


AVERAGE BEAM ANGLE (50%): 117.4 DEG

**IDA**

UNIT:cd

- C0/180 Ic:2005 57.3,60.1
- C90/270 Ic:2005 59.1,58.2



AVERAGE BEAM ANGLE (50%): 121.0 DEG

**IDB**

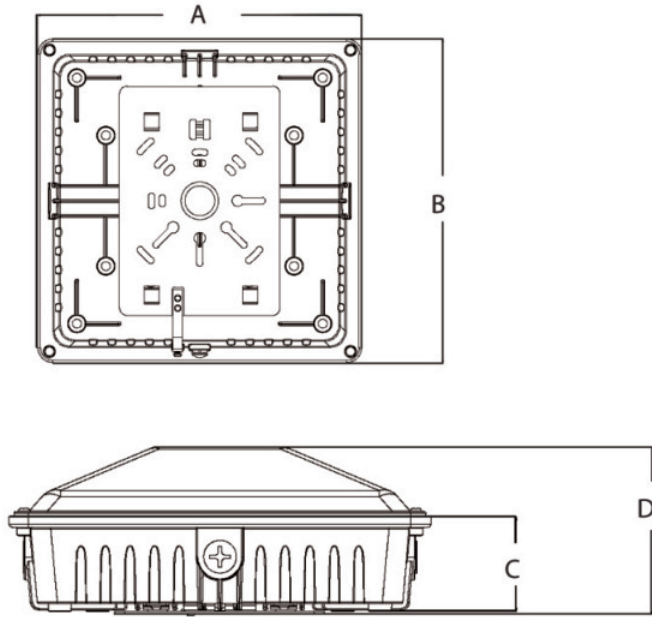
UNIT:cd

- C0/180 Ic:1711 60.3,60.8
- C90/270 Ic:1711 61.1,59.9

### ORDERING INFORMATION

<b>AOK</b>	-	<input type="text"/>	-	<input type="text"/>	-	<input type="text"/>	-	<input type="text"/>	-	<input type="text"/>	-	<input type="text"/>
		<b>WATTS</b>		<b>LED CHIPS</b>		<b>TYPE OF SENSOR</b>		<b>CCT&amp;CRI</b>		<b>VOLTAGE</b>		<b>OPTIONS</b>
		40WiDA 40WiDB 60WiDA 60WiDB		L2=Osram 2835		00=Without Sensor DV=Dimmable PH=Photocell		3080=3000K 80CRI 4080=4000K 80CRI 5080=5000K 80CRI 5780=5700K 80CRI 6580=6500K 80CRI		NV=100-277V		BN=130D

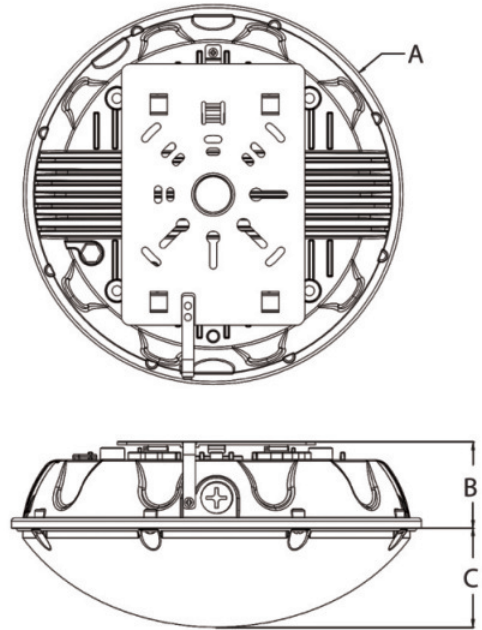
**FIXTURE DIMENSIONS**



A	B	C	D
25.8cm/10.17"	25.8cm/10.17"	5.8cm/2.29"	10.3cm/4.04"

Dimensions of 40W and 60W models

**FIXTURE DIMENSIONS**

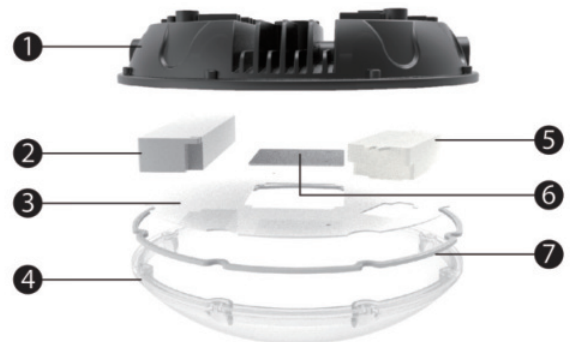


A	B	C
φ26.5cm/10.4"	5.55cm/2.2"	6.4cm/2.5"

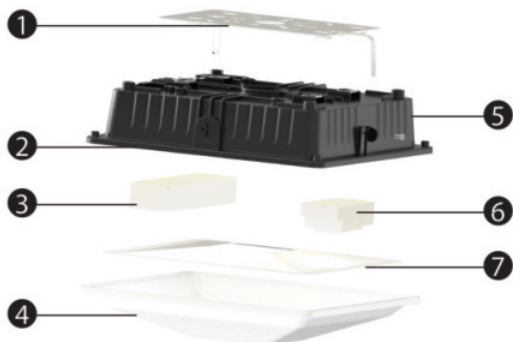
Dimensions of 40W and 60W models

**CONSTRUCTION FEATURES**

1. Die casting fixture housing
2. Top level performance driver 1-10V dimmable
3. Reflector
4. Optical grade polycarbonate cover
5. Occupancy sensor
6. Light source: PCB board with top level performance LEDs  
System efficacy up to 130LM/w
7. Gasket



**CONSTRUCTION FEATURES**



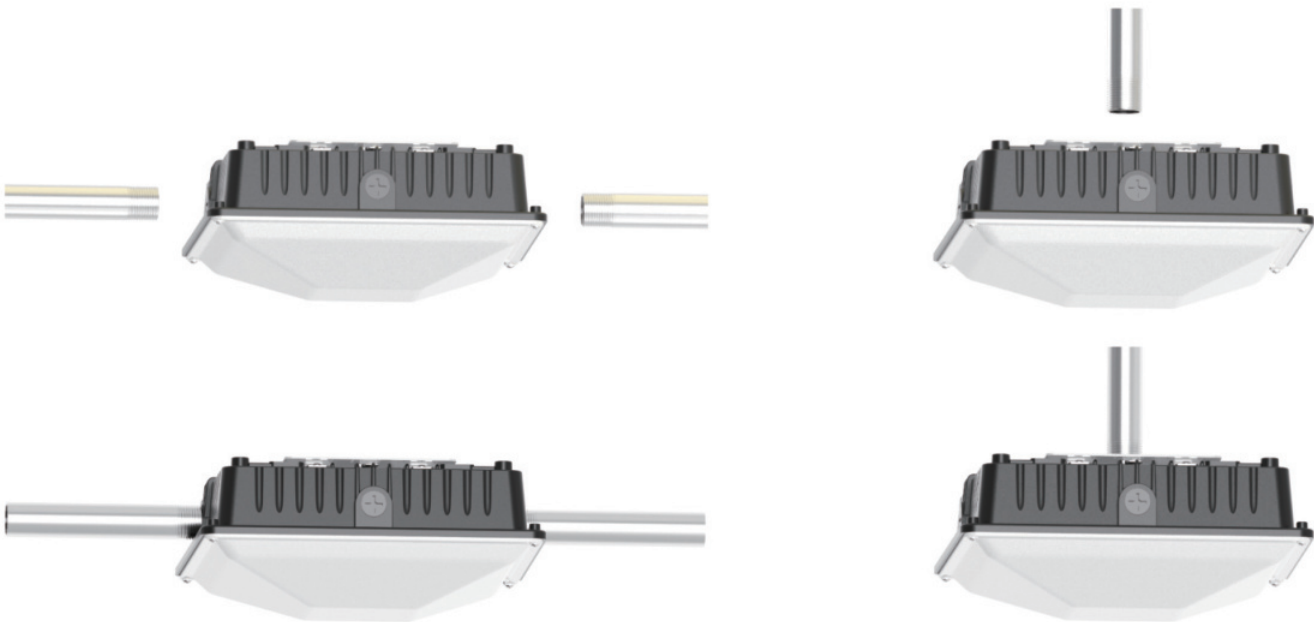
1. Installation adaptor plate
2. Top level performance light source system  
efficacy- CY up to 130lm/w
3. Top level performance driver 1-10V dimmable
4. Optical grade polycarbonate cover
5. Die casting fixture body
6. Occupancy Sensor
7. Reflector

**MULTIPLE APPLICATIONS OF IDB SERIES**



The iDB series supports >5 different installation applications

**MULTIPLE APPLICATIONS OF IDA SERIES**



The iDA series supports both vertical and horizontal installations

**TECHNICAL SPECIFICATIONS**

MODEL	WATTS	SHPAE	INITIAL DELIVERED LUMENS(LM)@5000K	EFFIC ACY(LM/W)	IP&IK	NW	MOUNTING TYPE
AOK-40WiDA	40W	Square	4956.8	130.91	IP65&IK08	6.6lbs (3kg)	Ceiling/ pendant Mount
AOK-60WiDA	60W	Square	7611.47	137.16	IP65&IK08	6.6lbs (3kg)	
AOK-40WiDB	40W	Square	4956.8	130.91	IP65&IK08	6.6lbs (3kg)	
AOK-60WiDB	60W	Square	7579.82	137.56	IP65&IK08	6.6lbs (3kg)	