



**ISF** LED STADIUM LIGHT  
400W/600W/800W/1200W/1500W/1800W

**100+** Patent Certificates  
**\$1,000,000+** Annual Energy Saving  
**10,000+** Projects Successfully Installed



OVER YEARS   
**10 EXPERIENCE**  
[www.aokledlight.com](http://www.aokledlight.com)

## > Features of ISF Series

ISF series is an energy-saving and economical LED flood light which is suitable for stadium lighting. It is also suitable for large outdoor lighting such as ports and docks.

- Up to 150LM/W, power range: **400W-1800W**.
- Modular design, a maximum of 3 modules available.
- UV stabilized polyester powder paint finish for durability and corrosion resistance. Saving maintenance budget and operating costs.
- Die-casting aluminum, excellent heat dissipation design, more conducive to prolong the lifespan.
- Excellent lighting system design, better performance.
- Eco-friendly, the lighting around the site is not plagued by light pollution.
- The illumination of the site is significantly improved, with better uniformity, and the overflow light is reduced to a minimum.

<b>UP TO</b> <b>150</b> lm/W	<b>NV: 100-240V</b> <b>HV: 200-440V</b> <b>HV: 198-440V</b> <b>50/60HZ</b>	<b>THD</b> <b>&lt;20%</b>	<b>L90B10</b> <b>&gt;52000hrs</b> <b>@ 25°C</b>	<b>Working Temperature Environment</b> <b>-40°C~50°C</b> <b>(-40°F~+122°F)</b>
<b>IP66</b> <b>IK08</b>	<b>3G</b> <b>VIBRATION TESTING</b>	<b>CRI</b> <b>70/80/90</b>	<b>DIM</b>	



For other certificates please request

(Optional)  
**APPLICABLE TO 4K & HD TV LIVESTREAM**

**TLCI > 95**    **GR < 30/40**



**UP TO 1800W MODULAR**

Modular design makes the fixture easy to repair and replace. Maximum power to 1800W, flexible to adapt to project lighting needs.



**LIGHTWEIGHT MAX. <30KG**

The total weight of the 1800W fixture is less than 30KG (without a driver box). The lighter the weight, the easier the installation and the safer the fixture it is.



**FOR TV BROADCAST**

ISF guarantees excellent TV footage thanks to LED sources with a high TLCI index (Max >95) and allows the creation of super slow motion flicker-free.



**CONVENIENT INSTALLATION**

Type-A (Top-fixed) or Type-U (Yoke mount) installation. The installation procedure is simple and saves time and manpower.



5 Year Limited Warranty,  
10 Year Preferred Warranty.  
Please consult with our sales for detailed agreement.

wally@akledlight.com  
+1 626-986-4050 (US)  
+86 755 2357 9148 (CN)

©2022 AOK LED LIGHT CO., LTD. All Right Reserved.



# > Perfect Design for Gaming

- The lighting system, electrical, structural all links of the precise configuration and full consideration, precise control of light, to ensure the best light efficiency. We make the whole lighting system faultless, more durable.
- We provide easy-to-maintain design, integrated grounding, and surge protection to ensure the long life of the sensitive electrical components required by LEDs.

## HEAT SINK

- Die-casting aluminum ADC12, high thermal conductivity
- Unique convective air cooling design
- Machined smooth surface for maximum heat transfer of the LEDs
- Maintains low LED junction temperature for high wattage operation

## U-BRACKET

- Maintains alignment is up to 150 mph winds.
- Type-A mount optional.

## WATERPROOF RING

- High-temperature resistance materials
- Aging resistance, excellent sealing

## TEMPERED GLASS

- Impact-resistant IK08
- High transparency

## LED PANEL

- Seoul 5050/Seoul Z5M4 3535
- CREE/LUMILEDS optional
- Metal-core printed circuit board

## LENS

- High-temperature resistance PC materials
- High transparency
- Multiple beam angles

## SURFACE COVER

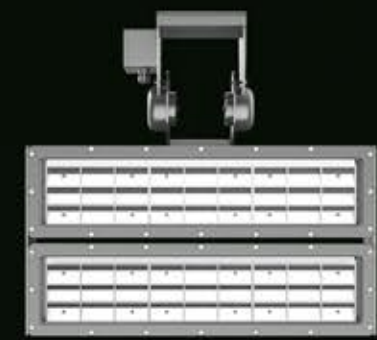
- Perfectly sealed to keep optics away from harmful environmental elements
- High-strength material ADC12

## LIGHT VISOR OPTIONAL

- Visor with a reflective surface and adjustable angle
- Dramatically reduces glare and spill, and maintain high output



Type-A (Optical Lens)



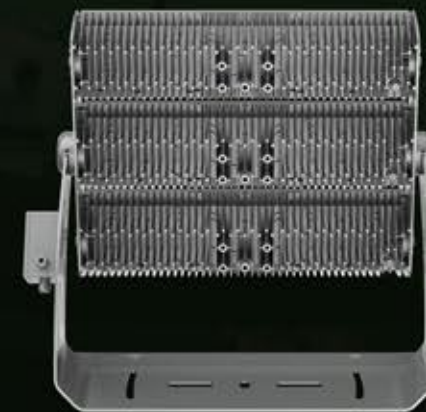
Type-A (With Reflector)



Type-U (Optical Lens)



Type-U (With Reflector)



Type-U Power Supply Split Installation

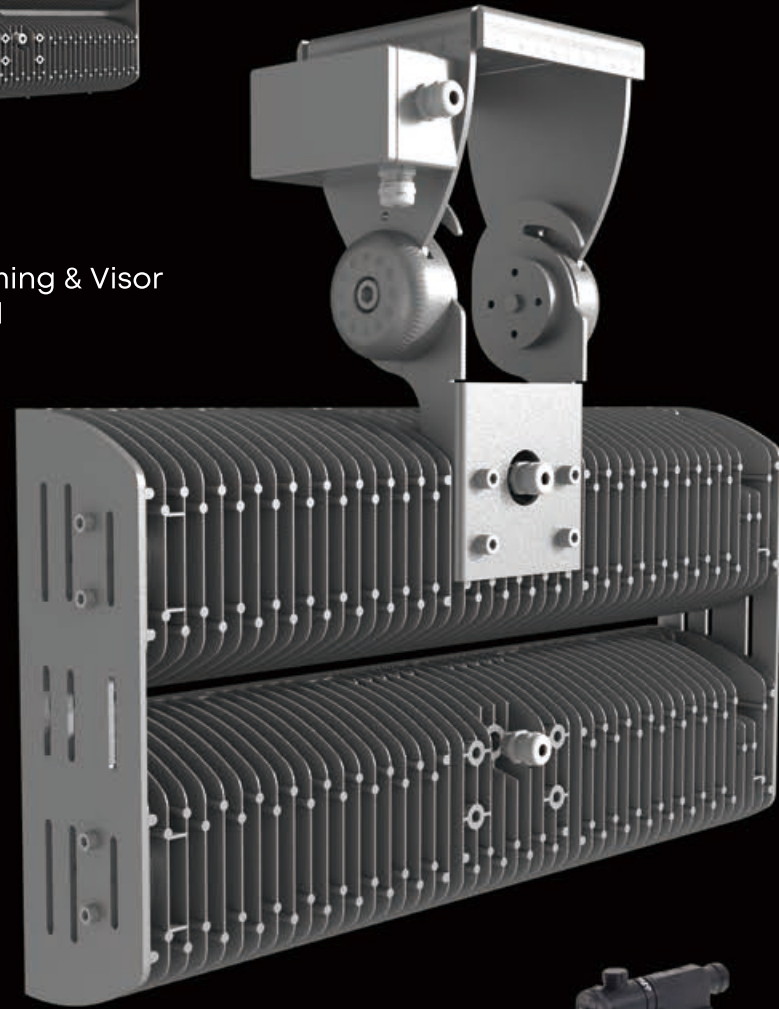


Type-U Driverbox Integrated with Bracket

# > Flexible & Convenient Installation

## Type-A Top-fixed Bracket

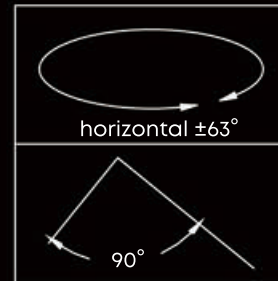
The innovative top-fixed bracket is ideal for the suspended installation of ISF in limited spaces (for example under the roof cover of grandstands). Furthermore, top-fixed simplifies pointing operations. This fixing system allows adjustment on several planes and axes: the main adjustment with tilt range in the horizontal plane  $\pm 63^\circ$ , rotation range on vertical axis  $90^\circ$ .



Laser aiming & Visor  
Optional

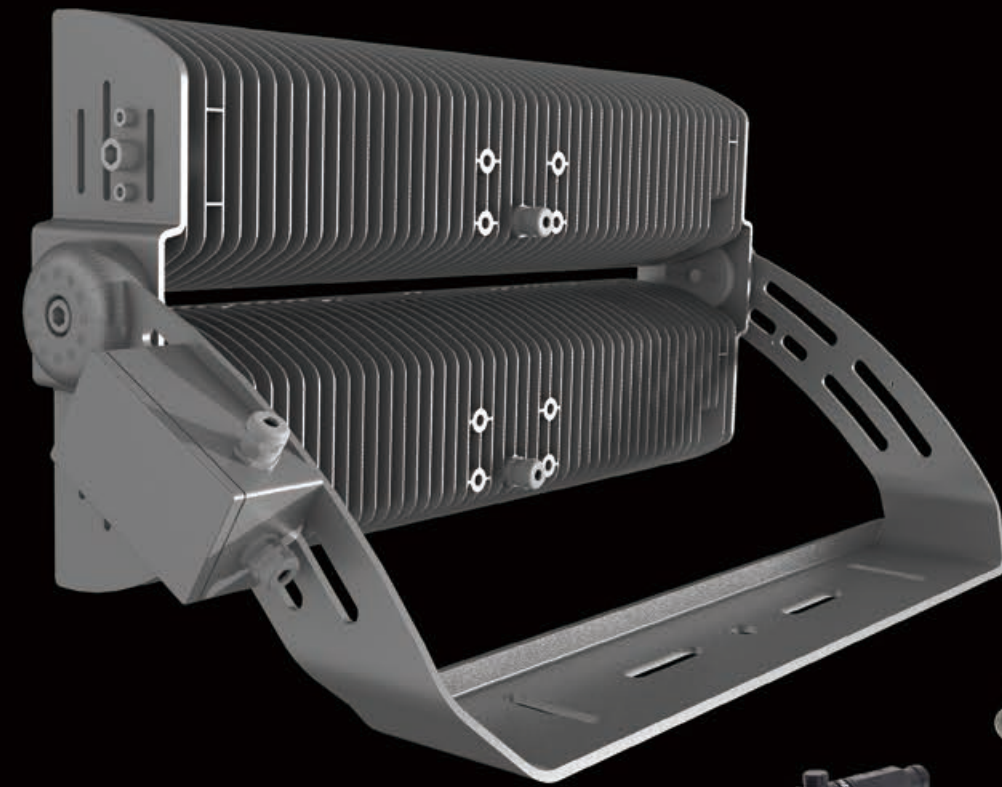
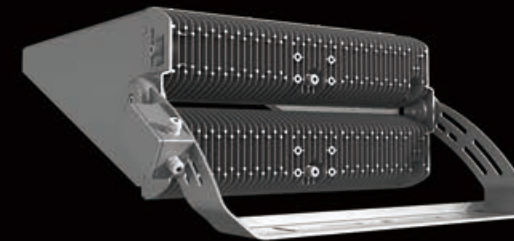
Laser aiming

Safety rope



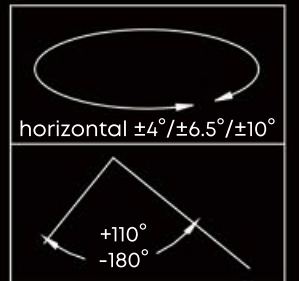
## Type-U Yoke Mount

The Type-U Bracket of ISF is made of 304 stainless steel, with super corrosion resistance. It is adjustable and tilt-able on the horizontal plane  $\pm 4^\circ / \pm 6.5^\circ / \pm 10^\circ$ , rotation range on vertical:  $+110^\circ / -180^\circ$ . It is also available for inverted mounting, guaranteeing great installation versatility.



Laser aiming

Safety rope



\*As the products are upgraded, the accessories may differ from those described in the pictures.

\*Due to the constant improvements in product development, individual parameters might change. Please refer to our sales or R&D team for most up-to-date content as specifications are subject to change without notice.

# > Photometric Design



*Hidden reflector design, the fixture is invisible at the night except for light, lower glare.*

The ISF series is available with a high-performance Optical System, customizable to meet all installation requirements in professional sports fields. The system consists of floodlighting optics for punctual lighting in the pitch. The lighting solutions allow optimizing light in every direction with extreme flexibility. The solution uses specific LED sources for high-grade TLCI television broadcasts.

The ISF series is designed with an innovative lighting technique for sports fields that makes the installation of the floodlights extremely simple, without resorting to precise aiming. The lighting reflector system has been created specifically for certain sports facilities such as the tennis court, where the installation of the luminaires can also be quick and easy.

## Distribution Design - Without Visor

Symmetric Optic-15D    Symmetric Optic-20\*30D    Symmetric Optic-30D    Asymmetric Optic-35\*85D



## Distribution Design - With Reflector

Asymmetric Optic-PG30D    Asymmetric Optic-PG60D

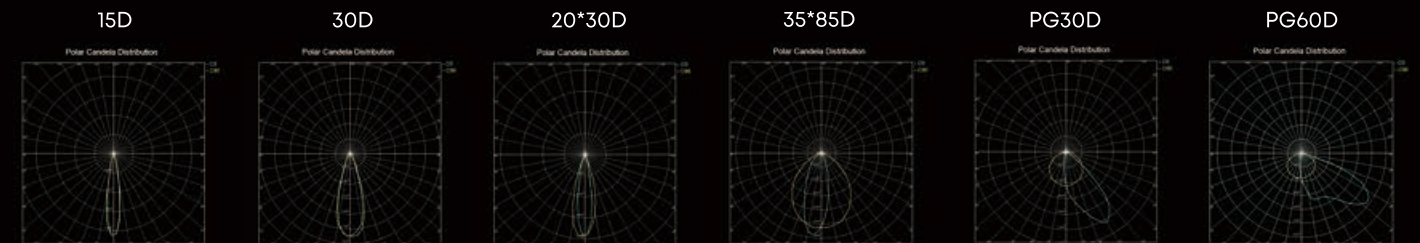


## Distribution Design - With Visor

Asymmetric Optic-15D    Asymmetric Optic-20\*30D    Asymmetric Optic-30D    Asymmetric Optic-35\*85D



**Accurate light distribution design to ensure accurate lighting, Seoul or CREE/LUMILEDS LED chips to ensure the best lighting performance.**



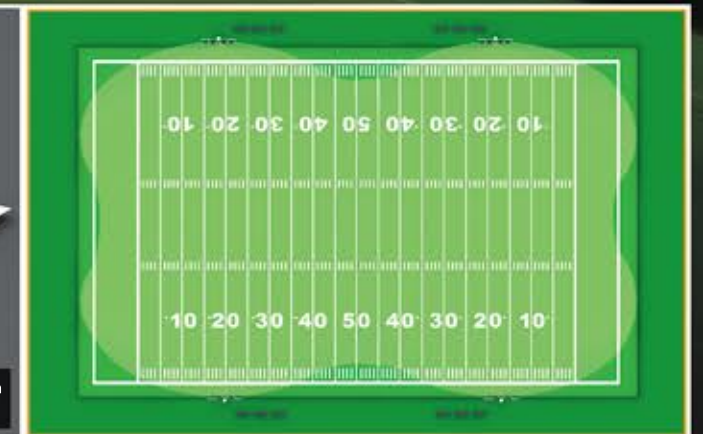
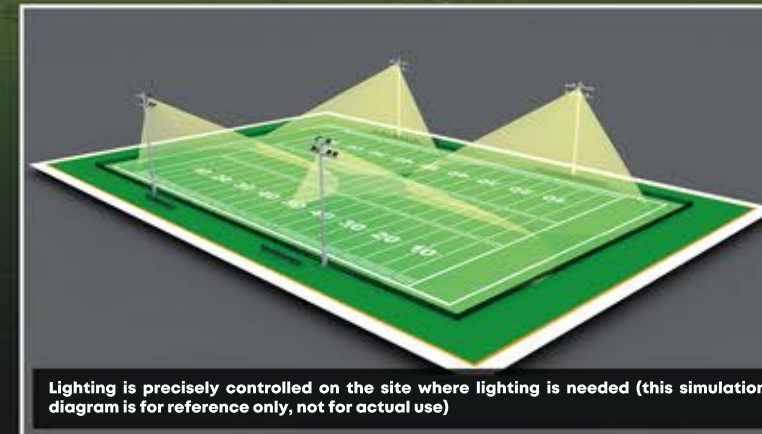
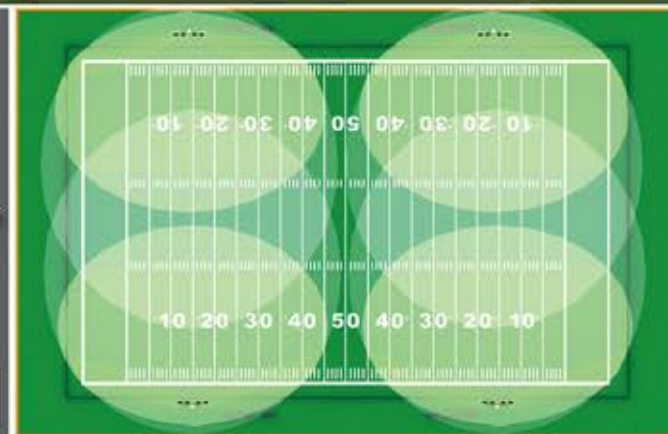
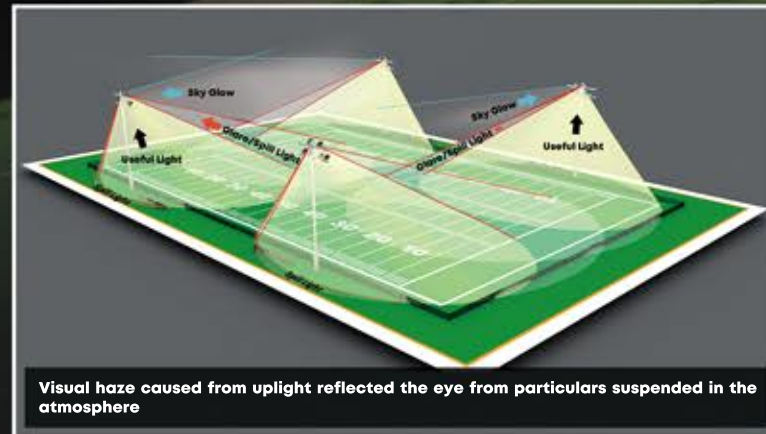
# > Control of Light



- Glare & light pollution
- Light spills out



- Comfortable uniform lighting effect
- No upper light pollution
- Better visual experience



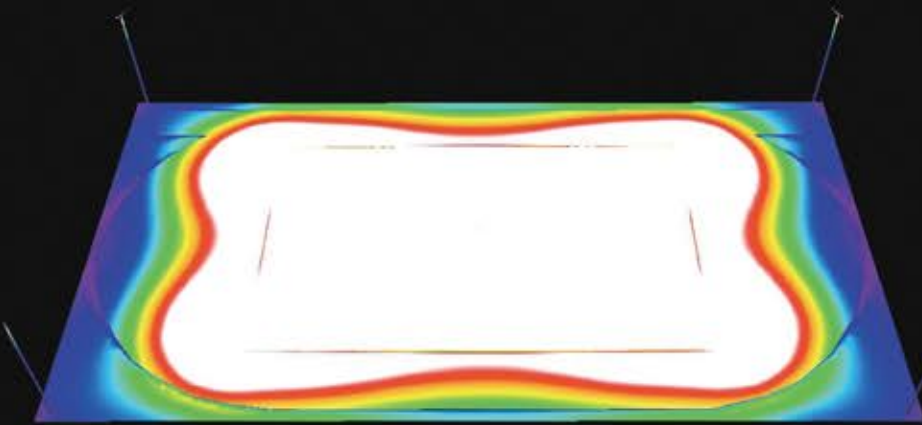
• Glare can cause problems for athletes and nearby residents. Spillover light causes light pollution in the night sky. Solving the problem of reducing light pollution is the primary mission of our product design. While providing a brighter lighting system for the site, we were also concerned about how to reduce the disturbance to the surrounding environment.

• Effective control of light can better reflect the energy conservation and environmental protection of LED lighting equipment. The low glare design of the ISF series allows for effective control of light and direction, providing greater comfort for athletes on the field, a better spectator experience, and minimizing light pollution.

• Precise lighting system design of ISF series, combined with visor, reduces in-site glare by 40%, spills by more than 50%, and saves energy by up to 40% compared to conventional MHL or other lamps.

## > Referential Simulation Result

### Simulation Renderings

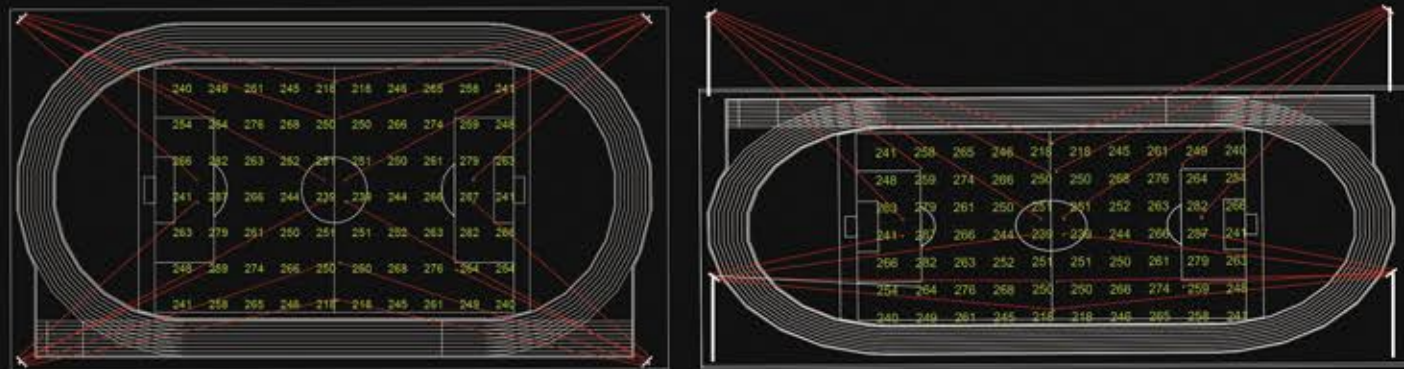


#### Reference Data

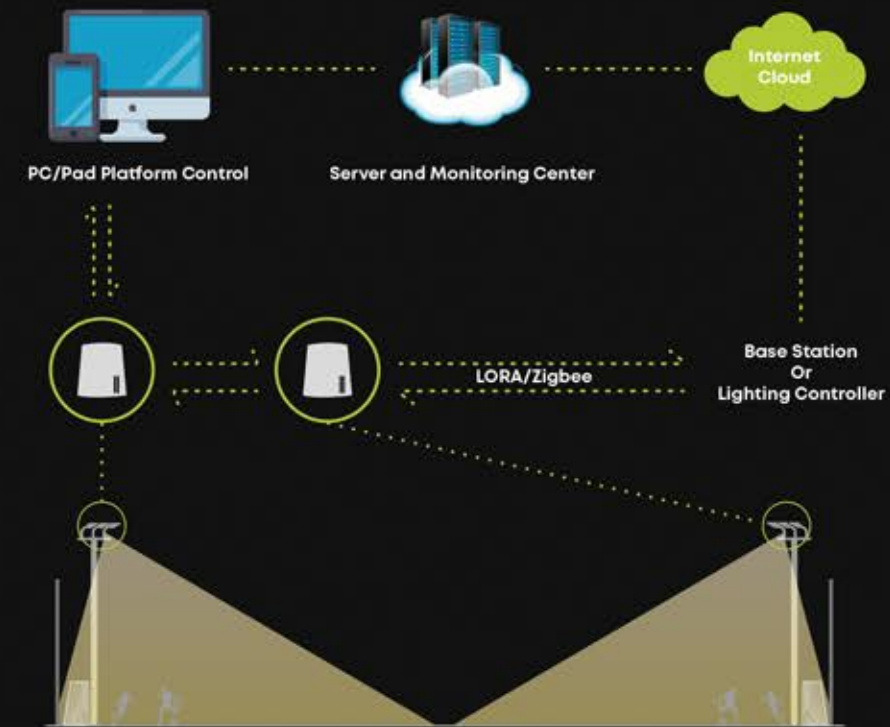
Field proportion: 105\*68m;  
 Installation height: 30m;  
 Pole number: 4 PCS;  
 Number of fixtures: 5 PCS \*4;  
 The total lumens: 144000lm;  
 Power of each fixture: 1200W;



### Illumination Parameters



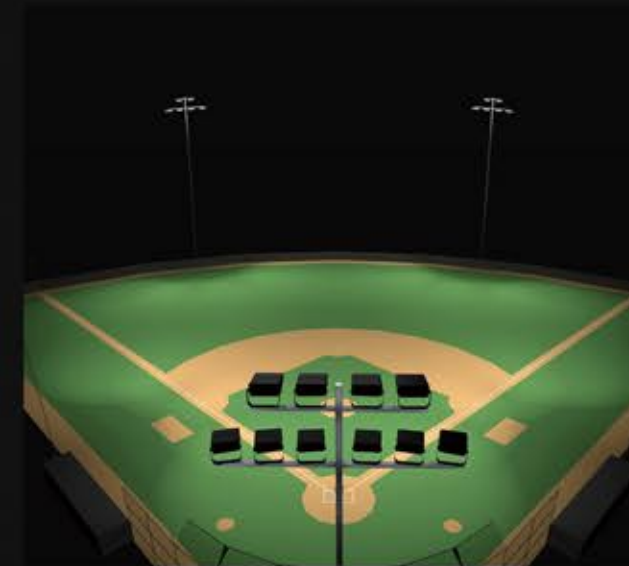
## > Smart Lighting Control



The Lora Light wireless system or Zigbee control with strong anti-interference ability is adopted in the wireless transmission unit of the light controller to realize the communication between nodes and gateways. The data of various sensors on the node light controller is sent back to the gateway, and the control command of the gateway is also sent to the node light controller.

Through the controller, the staff can conveniently remote control the status of lamps and lanterns and adjust them, so that the lighting management of the site is more intelligent.

### Competition



Through remote control, the lighting can achieve the best effect of professional competition, so as to meet the lighting demand of the field competition. Easy to operate, quick adjustment, intelligent system can be more conveniently deployed.

### Training or Recreation



Lighting on the spot only needs to meet the effect of training or daily recreational activities, and the illumination of fixtures can be reasonably adjusted through remote control. It can not only save energy consumption but also save operating expenses.

## > Application Reference





## > Application Reference



## ► Application Reference

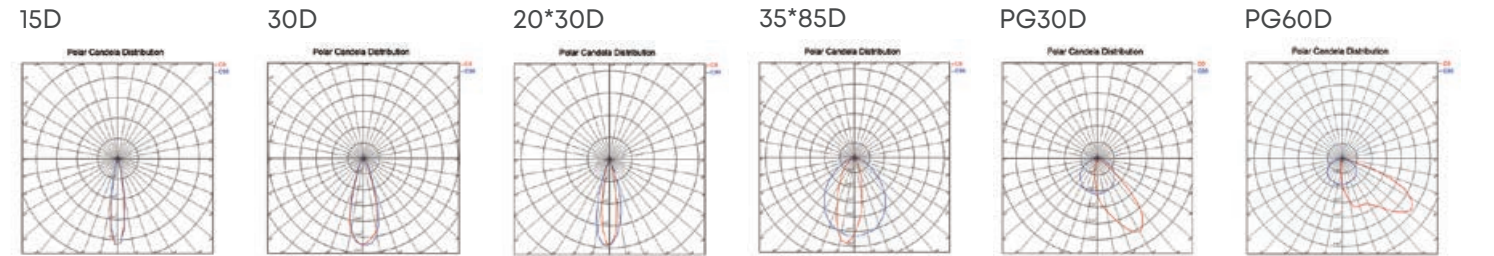


# Parameter Table

Electrical Data								
Model	AOK-400WISF	AOK-600WISF	AOK-800WISF	AOK-1200WISF	AOK-1500WISF	AOK-1800WISF		
Power(W)	400W	600W	800W	1200W	1500W	1800W		
Modules	1	1	2	2	3	3		
Input voltage	100-277V/277-480V, 50/60Hz				220-400V, 50/60Hz			
THD	<20%							
PF	>0.90							
Control Option	0-10V/PWM Timer diming (Standard), DALI, DMX512 (Optional)				DALI, DMX512 (Standard)			
Ambient temperature	-40°C to 50°C	-40°C to 45°C	-40°C to 50°C	-40°C to 45°C	-40°C to 50°C	-40°C to 45°C		
Driver brand	Based on the actual project demand							
Surge protection	20kV available							
Photometric Data								
Efficacy (lm/W, Std. Dev. ±5%)@CCT=4000K, CRI>70Ra	15D	140lm/W	140lm/W	140lm/W	140lm/W	140lm/W	140lm/W	
	35°85D	150lm/W	150lm/W	150lm/W	150lm/W	150lm/W	150lm/W	
	20°30D	140lm/W	140lm/W	140lm/W	140lm/W	140lm/W	140lm/W	
	30D	150lm/W	150lm/W	150lm/W	150lm/W	150lm/W	150lm/W	
	PG30D	140lm/W	140lm/W	140lm/W	140lm/W	140lm/W	140lm/W	
	PG60D	140lm/W	140lm/W	140lm/W	140lm/W	140lm/W	140lm/W	
Luminous flux (lm, Std. Dev. ±5%)@CCT=4000K, CRI>70Ra	15D	56000lm	84000lm	112000lm	168000lm	210000lm	252000lm	
	35°85D	60000lm	90000lm	120000lm	180000lm	225000lm	270000lm	
	20°30D	56000lm	84000lm	112000lm	168000lm	210000lm	252000lm	
	30D	60000lm	90000lm	120000lm	180000lm	225000lm	270000lm	
	PG30D	56000lm	84000lm	112000lm	168000lm	210000lm	252000lm	
	PG60D	56000lm	84000lm	112000lm	168000lm	210000lm	252000lm	
Efficacy (lm/W, Std. Dev. ±5%)@CCT=4000K, CRI>70Ra, with visor	15D	125lm/W	125lm/W	125lm/W	125lm/W	125lm/W	125lm/W	
	35°85D	135lm/W	135lm/W	135lm/W	135lm/W	135lm/W	135lm/W	
	20°30D	125lm/W	125lm/W	125lm/W	125lm/W	125lm/W	125lm/W	
	30D	135lm/W	135lm/W	135lm/W	135lm/W	135lm/W	135lm/W	
	PG30D	/	/	/	/	/	/	
	PG60D	/	/	/	/	/	/	
Luminous flux (lm, Std. Dev. ±5%)@CCT=4000K, CRI>70Ra, with visor	15D	50000lm	75000lm	100000lm	150000lm	187500lm	225000lm	
	35°85D	54000lm	81000lm	108000lm	162000lm	202500lm	243000lm	
	20°30D	50000lm	75000lm	100000lm	150000lm	187500lm	225000lm	
	30D	54000lm	81000lm	108000lm	162000lm	202500lm	243000lm	
	PG30D	/	/	/	/	/	/	
	PG60D	/	/	/	/	/	/	
ULOR	= 0%, @ Luminaire inclination 0°							
CCT	2700K, 3000K, 4000K, 5000K, 5700K							
CRI	Ra70, Ra80, Ra90							
Beam angle	15D/20°30D/30D/35°85D/PG30D/PG60D							
Mechanical Data								
IP/IK	IP66/IK08, according to standard EN 60529 and EN 62262							
Vibration resistance	3G, conform to standard IEC 68-2-6.							
SCx (EPA)	Type-A (Without visor@25°)	Top view: 0.08m <sup>2</sup> (0.86ft <sup>2</sup> ) Front view: 0.13m <sup>2</sup> (1.40ft <sup>2</sup> )	Top view: 0.12m <sup>2</sup> (1.29ft <sup>2</sup> ) Front view: 0.21m <sup>2</sup> (2.26ft <sup>2</sup> )	Top view: 0.16m <sup>2</sup> (1.72ft <sup>2</sup> ) Front view: 0.29m <sup>2</sup> (3.12ft <sup>2</sup> )	Top view: 0.21m <sup>2</sup> (2.26ft <sup>2</sup> ) Front view: 0.31m <sup>2</sup> (3.34ft <sup>2</sup> )	Top view: 0.25m <sup>2</sup> (2.69ft <sup>2</sup> ) Front view: 0.31m <sup>2</sup> (3.34ft <sup>2</sup> )	Top view: 0.31m <sup>2</sup> (3.34ft <sup>2</sup> ) Front view: 0.31m <sup>2</sup> (3.34ft <sup>2</sup> )	
	Type-U (Without visor@25°)	Top view: 0.12m <sup>2</sup> (1.29ft <sup>2</sup> ) Front view: 0.11m <sup>2</sup> (1.18ft <sup>2</sup> )	Top view: 0.20m <sup>2</sup> (2.15ft <sup>2</sup> ) Front view: 0.22m <sup>2</sup> (2.37ft <sup>2</sup> )	Top view: 0.25m <sup>2</sup> (2.69ft <sup>2</sup> ) Front view: 0.31m <sup>2</sup> (3.34ft <sup>2</sup> )	Top view: 0.31m <sup>2</sup> (3.34ft <sup>2</sup> ) Front view: 0.31m <sup>2</sup> (3.34ft <sup>2</sup> )	Top view: 0.31m <sup>2</sup> (3.34ft <sup>2</sup> ) Front view: 0.31m <sup>2</sup> (3.34ft <sup>2</sup> )	Top view: 0.31m <sup>2</sup> (3.34ft <sup>2</sup> ) Front view: 0.31m <sup>2</sup> (3.34ft <sup>2</sup> )	
	Type-A (Reflector, without visor@0°)	Top view: 0.12m <sup>2</sup> (1.29ft <sup>2</sup> ) Front view: 0.05m <sup>2</sup> (0.54ft <sup>2</sup> )	Top view: 0.22m <sup>2</sup> (2.37ft <sup>2</sup> ) Front view: 0.05m <sup>2</sup> (0.54ft <sup>2</sup> )	Top view: 0.32m <sup>2</sup> (3.44ft <sup>2</sup> ) Front view: 0.05m <sup>2</sup> (0.54ft <sup>2</sup> )	Top view: 0.31m <sup>2</sup> (3.34ft <sup>2</sup> ) Front view: 0.05m <sup>2</sup> (0.54ft <sup>2</sup> )	Top view: 0.31m <sup>2</sup> (3.34ft <sup>2</sup> ) Front view: 0.05m <sup>2</sup> (0.54ft <sup>2</sup> )	Top view: 0.31m <sup>2</sup> (3.34ft <sup>2</sup> ) Front view: 0.05m <sup>2</sup> (0.54ft <sup>2</sup> )	Top view: 0.31m <sup>2</sup> (3.34ft <sup>2</sup> ) Front view: 0.05m <sup>2</sup> (0.54ft <sup>2</sup> )
	Type-U (Reflector, without visor@0°)	Top view: 0.15m <sup>2</sup> (1.61ft <sup>2</sup> ) Front view: 0.06m <sup>2</sup> (0.65ft <sup>2</sup> )	Top view: 0.28m <sup>2</sup> (3.01ft <sup>2</sup> ) Front view: 0.07m <sup>2</sup> (0.75ft <sup>2</sup> )	Top view: 0.37m <sup>2</sup> (3.98ft <sup>2</sup> ) Front view: 0.07m <sup>2</sup> (0.75ft <sup>2</sup> )	Top view: 0.37m <sup>2</sup> (3.98ft <sup>2</sup> ) Front view: 0.07m <sup>2</sup> (0.75ft <sup>2</sup> )	Top view: 0.37m <sup>2</sup> (3.98ft <sup>2</sup> ) Front view: 0.07m <sup>2</sup> (0.75ft <sup>2</sup> )	Top view: 0.37m <sup>2</sup> (3.98ft <sup>2</sup> ) Front view: 0.07m <sup>2</sup> (0.75ft <sup>2</sup> )	Top view: 0.37m <sup>2</sup> (3.98ft <sup>2</sup> ) Front view: 0.07m <sup>2</sup> (0.75ft <sup>2</sup> )
Housing/Materials	Heavy-duty die-cast aluminum (EN AC-46100)							
Surface treatment	Anti-UV thermosetting polyester/80 micron epoxy primer + Anti-UV thermosetting polyester (for extremely corrosive environments).							
Painting	Black, Silver Grey, Custom request							
Cable	Pre-wired with a 30 cm cable (Other lengths on request)							
Mounting	Top fixed/Yoke mount							
LED								
LED Manufacturer	Seoul (CREE/LUMILEDS Optional)							
LED model	Seoul S050/Seoul ZSM4 3535							
Number of LED	15D(3535ZSM4)	168	252	336	504	630	756	
	35°85D(5050)	168	252	336	504	630	756	
	20°30D(3535ZSM4)	168	252	336	504	630	756	
	30D(5050)	168	252	336	504	630	756	
	PG30D(5050)	180	270	360	540	675	810	
	PG60D(5050)	180	270	360	540	675	810	
Working current of single LED	15D(3535ZSM4)	75mA	765mA	755mA	742mA	780mA	775mA	
	35°85D(5050)	375mA	383mA	375mA	370mA	385mA	385mA	
	20°30D(3535ZSM4)	75mA	765mA	755mA	742mA	780mA	775mA	
	30D(5050)	375mA	383mA	375mA	370mA	385mA	385mA	
	PG30D(5050)	352mA	350mA	352mA	350mA	360mA	358mA	
	PG60D(5050)	352mA	350mA	352mA	350mA	360mA	358mA	
Lens	Polycarbonate + Tempered Glass (=5 mm thick)							

Model	AOK-400WISF	AOK-600WISF	AOK-800WISF	AOK-1200WISF	AOK-1500WISF	AOK-1800WISF
Other Data						
Lifespan	L90B10 - 52 000 h, @Tq 25°C					
Warranty	5 years (Warranty extension up to 10 years on request)					
Certification	ROHS/CE/CB/For other certificates please request					
Product size (without driver box)	Type-A (Lens)	L599.2*W389.8*H155mm	L607.2*W559.8*H155mm	L607.2*W559.8*H155mm	L729.8*W607.2*H155mm	L729.8*W607.2*H155mm
	Type-A (Reflector)	L599.2*W304.8*H226mm	L599.2*W474.8*H226mm	L599.2*W474.8*H226mm	L644.8*W607.2*H226mm	L644.8*W607.2*H226mm
	Type-U (Lens)	L706.5*W239.8*H235.5mm	L706.5*W239.8*H235.5mm	L706.5*W239.8*H235.5mm	L744.5*W373.1*H344mm	L744.5*W373.1*H344mm
	Type-U (Reflector)	L706.5*W250.2*H201.9mm	L706.5*W250.2*H201.9mm	L706.5*W250.2*H201.9mm	L744.5*W443.8*H243.2mm	L744.5*W443.8*H243.2mm
Net weight (without driver box)	Type-A (Lens)	11.1KG	11.1KG	11.1KG	19.04KG	27.14KG
	Type-A (Reflector)	11.1KG	11.1KG	11.1KG	18.26KG	26.0KG
	Type-U (Lens)	12.1KG	12.1KG	12.1KG	20.2KG	28.8KG
	Type-U (Reflector)	11.7KG	11.7KG	11.7KG	19.07KG	27.66KG
Carton size (without driver box)	Type-A (Lens)	L650*W410*H225mm	L650*W410*H225mm	L650*W410*H225mm	L690*W670*H220mm	L690*W670*H220mm
	Type-A (Reflector)	L650*W410*H225mm	L650*W410*H225mm	L650*W410*H225mm	L690*W670*H220mm	L690*W670*H220mm
	Type-U (Lens)	L725*W355*H225mm	L725*W355*H225mm	L725*W355*H225mm	L780*W735*H230mm	L780*W735*H230mm
	Type-U (Reflector)	L725*W355*H225mm	L725*W355*H225mm	L725*W355*H225mm	L780*W735*H230mm	L780*W735*H230mm
Gross weight (without driver box)	Type-A (Lens)	15.1KG	15.1KG	15.1KG	23.04KG	31.14KG
	Type-A (Reflector)	15.1KG	15.1KG	15.1KG	22.26KG	30.00KG
	Type-U (Lens)	16.1KG	16.1KG	16.1KG	24.2KG	32.8KG
	Type-U (Reflector)	15.7KG	15.7KG	15.7KG	23.07KG	31.66KG
Application field	Suitable for stadium, sports field, port, railway station					

## Photometrics



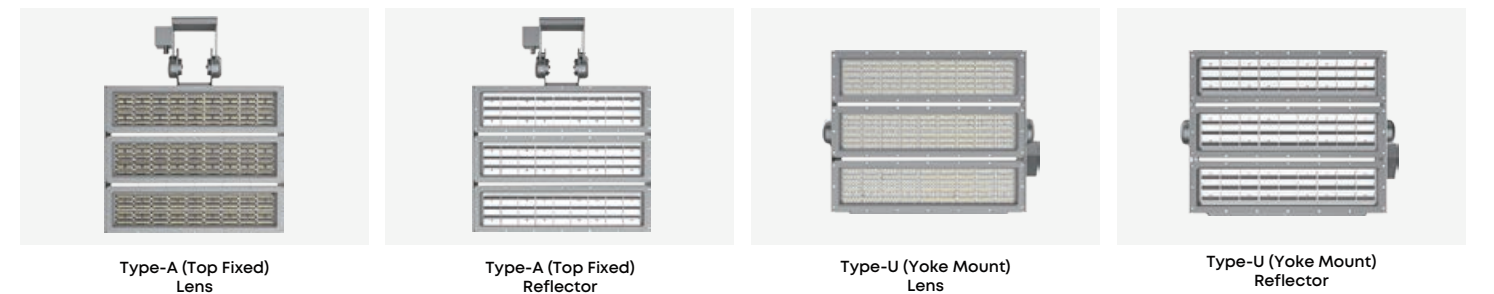
## Ordering Information

AOK-	WATTS	VOLTAGE	LED CHIPS	TYPE OF SENSOR	CCT&CRI	DISTRIBUTION	MOUNT	COLOR
400WISF	NV1=100-277V	S5=Seoul 5050	00=Without Sensor	2770=2700K 70CRI	15=15D	A=Top fixed	SG=Silver gray	
600WISF	HV1=277-480V	S35=Seoul 3535	PH=Photocell	3070=3000K 70CRI	3585=35°85D	U=Yoke mount	BK=Black	
800WISF	HV2=220-400V		DV=Dimmable	4070=4000K 70CRI	2030=20°30D		Custom request	
1200WISF				5070=5000K 70CRI	30=30D			
1500WISF				5770=5700K 70CRI	PG30=PG30D			
1800WISF				2780=2700K 80CRI	PG60=PG60D			
				3080=3000K 80CRI				
				4080=4000K 80CRI				
				5080=5000K 80CRI				
				5780=5700K 80CRI				

\*HV2 is for 1500W-1800W. The above voltage input is the standard default parameter for certificate. Due to different standards in different countries, please confirm the actual local demand first. The power supply of the product can be customized flexibly.

Type A Bracket No.: Module\*1: 1000-00398; Module\*2: 1000-00399; Module\*3: Pls inquire;  
Type U Bracket No.: Module\*1: 1000-00397; Module\*2: 1000-00400; Module\*3: 1000-00401;

## Brackets and Options

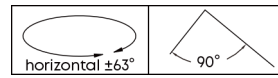


## ISF Series Specification Sheet

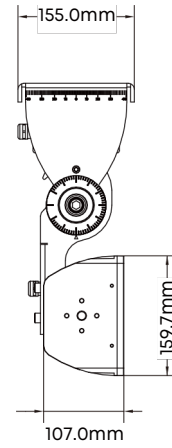
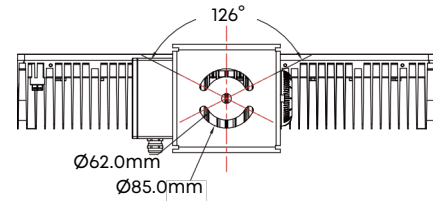
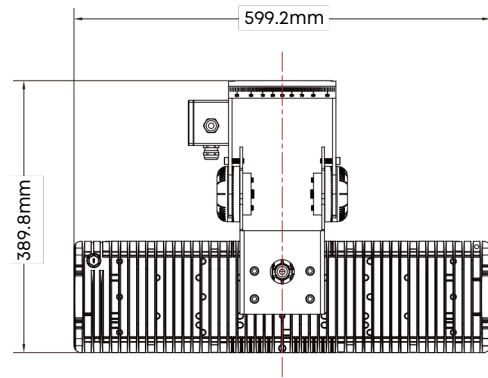
\*Due to the constant improvements in product development, individual parameters might change. Please refer to our sales or R&D team for most up-to-date content as specifications are subject to change without notice.

# Dimension

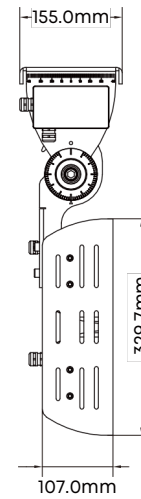
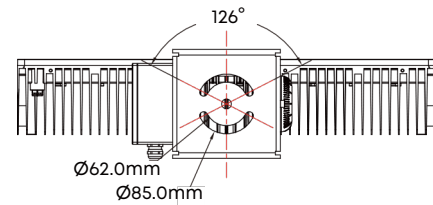
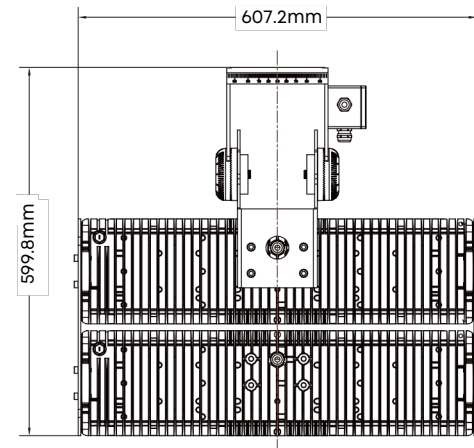
## TYPE-A: Top Fixed Installation



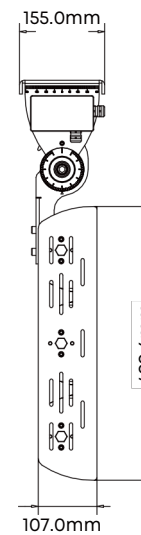
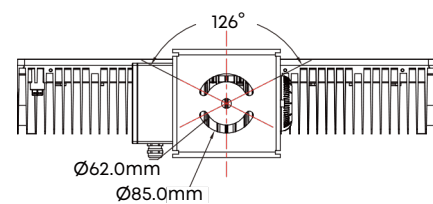
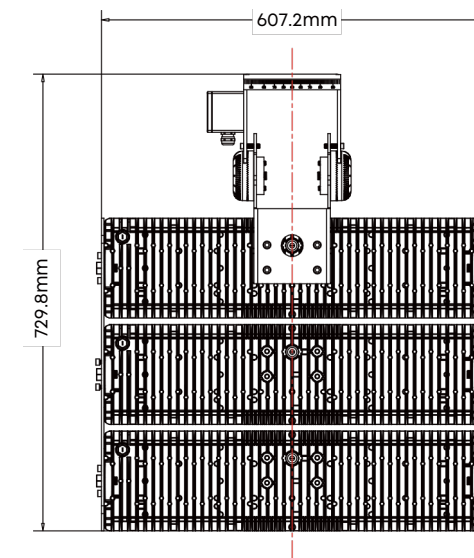
SCx (EPA)@25°:Top view: 0.08m<sup>2</sup> (0.86ft<sup>2</sup>) Front view: 0.13m<sup>2</sup> (1.40ft<sup>2</sup>)



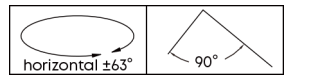
SCx (EPA)@25°:Top view: 0.12m<sup>2</sup> (1.29ft<sup>2</sup>) Front view: 0.21m<sup>2</sup> (2.26ft<sup>2</sup>)



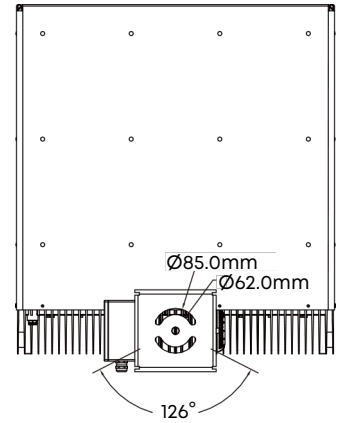
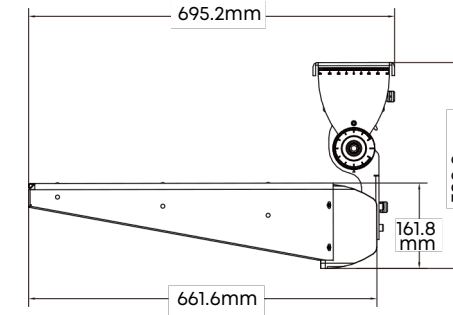
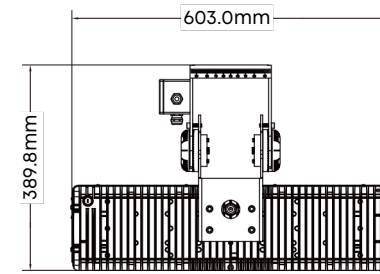
SCx (EPA)@25°:Top view: 0.16m<sup>2</sup> (1.72ft<sup>2</sup>) Front view: 0.29m<sup>2</sup> (3.12ft<sup>2</sup>)



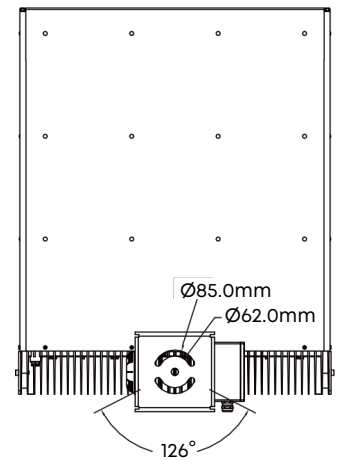
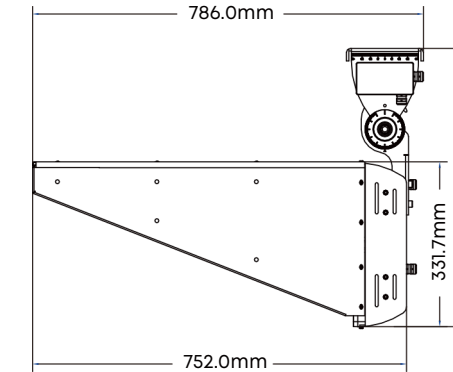
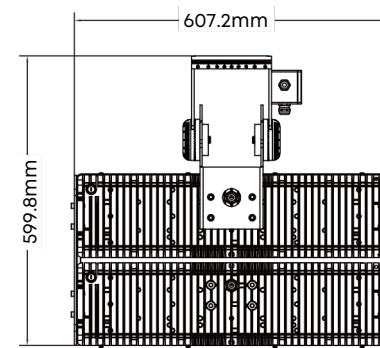
## TYPE-A: Top Fixed Installation (With visor)



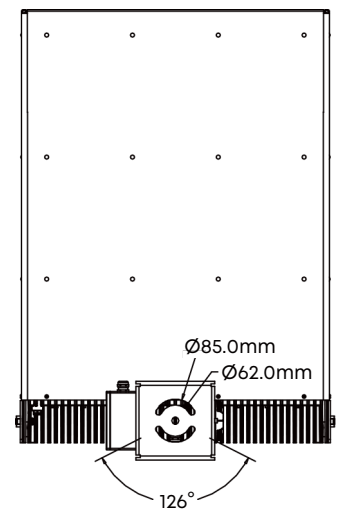
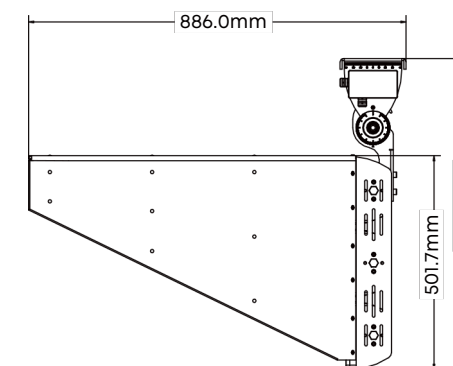
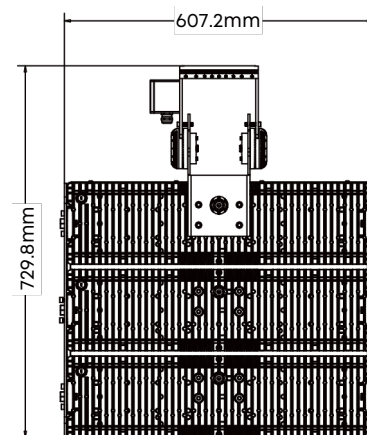
SCx (EPA)@25°:Top view: 0.18m<sup>2</sup> (1.94ft<sup>2</sup>) Front view: 0.37m<sup>2</sup> (3.98ft<sup>2</sup>)



SCx (EPA)@25°:Top view: 0.21m<sup>2</sup> (2.26ft<sup>2</sup>) Front view: 0.46m<sup>2</sup> (4.95ft<sup>2</sup>)



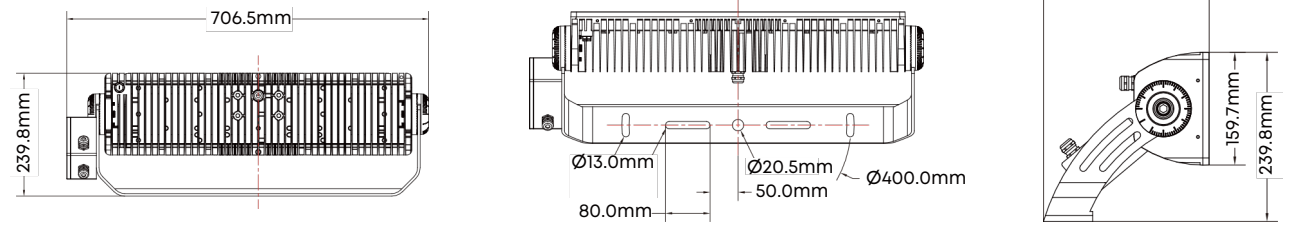
SCx (EPA)@25°:Top view: 0.24m<sup>2</sup> (2.58ft<sup>2</sup>) Front view: 0.48m<sup>2</sup> (5.17ft<sup>2</sup>)



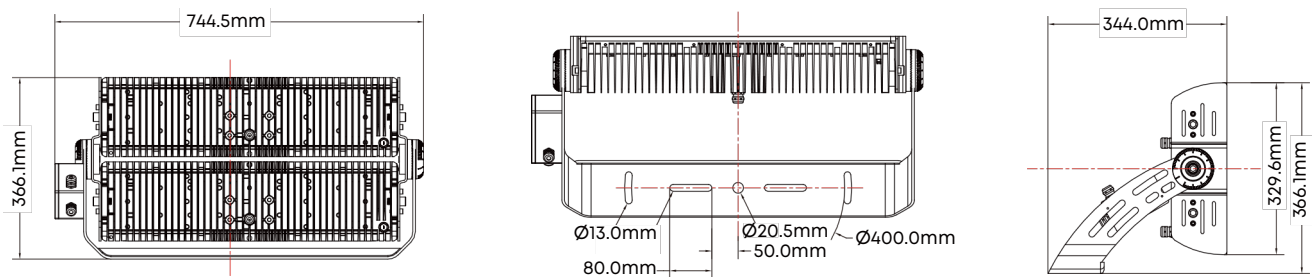
# Dimension

## TYPE-U: Yoke Mount

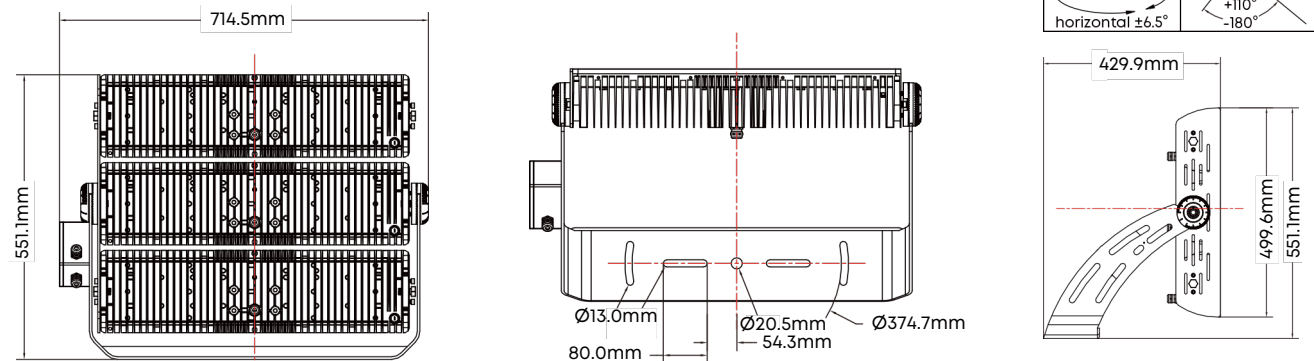
EPA(@25°): Top view: 0.08m<sup>2</sup> (0.86ft<sup>2</sup>) Front view: 0.13m<sup>2</sup> (1.40ft<sup>2</sup>)



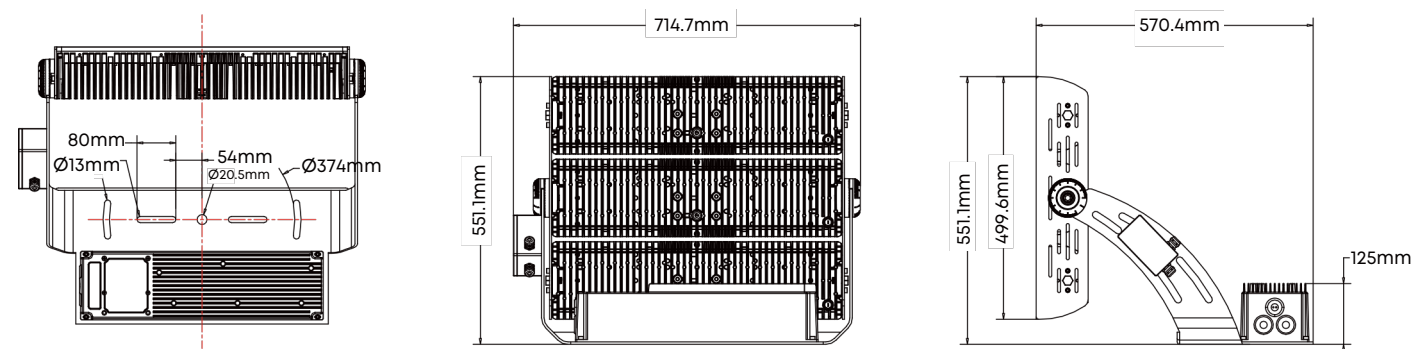
EPA(@25°): Top view: 0.20m<sup>2</sup> (2.15ft<sup>2</sup>) Front view: 0.22m<sup>2</sup> (2.37ft<sup>2</sup>)



EPA(@25°): Top view: 0.25m<sup>2</sup> (2.69ft<sup>2</sup>) Front view: 0.31m<sup>2</sup> (3.34ft<sup>2</sup>)

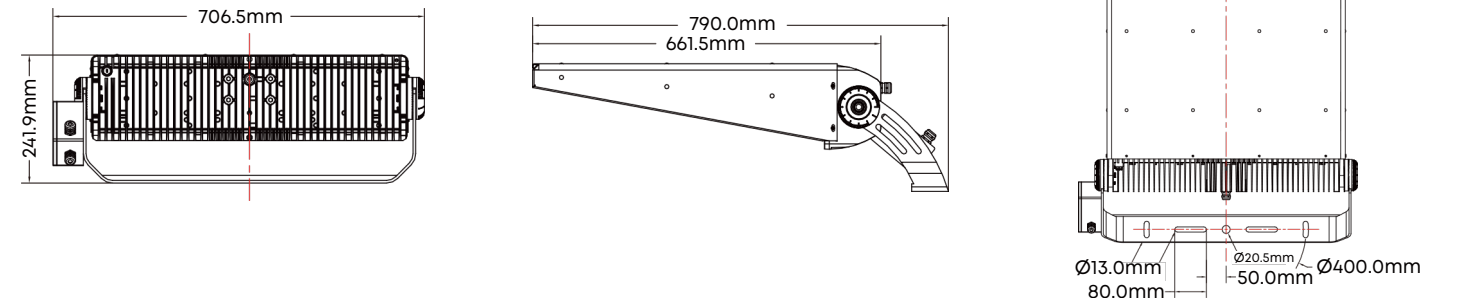


## TYPE-U: Diverbox Integrated with Bracket

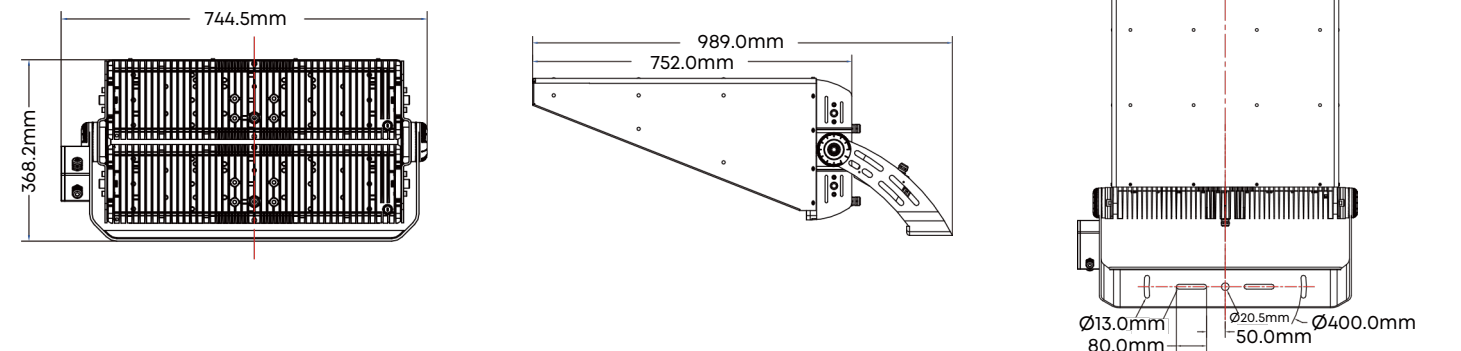


## TYPE-U: Yoke Mount (With visor)

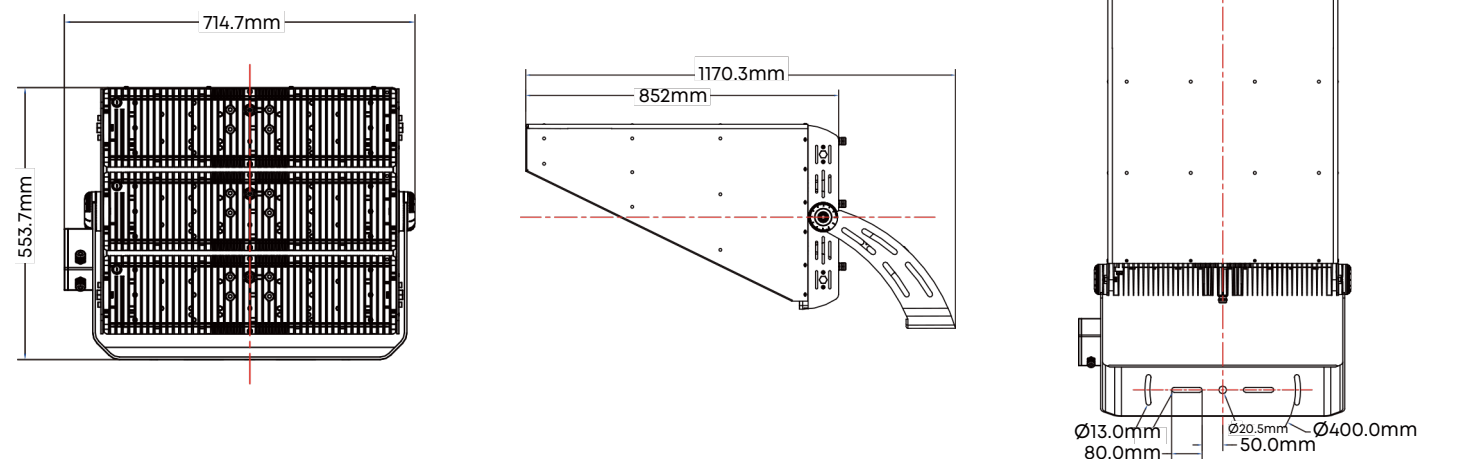
EPA(@25°): Top view: 0.42m<sup>2</sup> (4.52ft<sup>2</sup>) Front view: 0.17m<sup>2</sup> (1.83ft<sup>2</sup>)



EPA(@25°): Top view: 0.55m<sup>2</sup> (5.92ft<sup>2</sup>) Front view: 0.22m<sup>2</sup> (2.37ft<sup>2</sup>)



EPA(@25°): Top view: 0.66m<sup>2</sup> (7.10ft<sup>2</sup>) Front view: 0.31m<sup>2</sup> (3.34ft<sup>2</sup>)





# Illuminate Your Future



5 Year Limited Warranty,  
10 Year Preferred Warranty.  
Please consult with our sales for detailed agreement.

Wally@aokledlight.com  
www.aokledlight.com  
+1 626-986-4050 (US)  
+86 755 2357 9148 (CN)

Manufacturing: Building 1 & 4, St. George's Science and Technology Industrial Park, Shajing Street, Shenzhen, China, 518124.  
Fuzhou HQ: Room 301, Yujing Business Center Zone 1, No. 12 Baihuazhou road, Cangshan district, Fuzhou, China, 350007  
NorthAmerica HQ: 18541 E Gale Ave, City of Industry, CA91748 USA

Copyright ©2022 AOK LED LIGHT CO., LTD. All Right Reserved.