

SMART LED AREA/SHOEBOX LIGHT

Power: 110W, 150W, 300W Up to 1000W traditional Luminaire replacement



I S S E R I E S

UP TO 170LM/W
www.aokledlight.com

AOK[®]
Quality, Honesty, Service and Innovation

OPTICAL SYSTEM

- Precision engineered individual lenses made of optical grade Mitsubishi polycarbonate for maximum light intensity.
- Type III, V light patterns are available, right distribution for right project.
- Delivers improved visual comfort by lower glare and providing a wider smoother and more uniform light output.
- Available in 3000K, 4000K, 5000K, 5700K, 6500K CCT.
- Efficacy 130lm/W, higher lumen output, precision light pattern ensure more energy saved.
- Cutoff classification: Cutoff, no uplight pollution.
- Minimum CRI of 70, 80, and 90 optional.

MOUNTING

- 5 different mount bracket simplify your installation job, make installation to any style of pole quicker and easier.
- Customized pole adapters available for special installation. Consult AOK for details.

CERTIFICATES

- AOK iS series LED area light have been tested by UL authorized lab in accordance with IESNA LM-79 & LM-80.
- Listed to UL 1598 and UL 8750, UL File number: E364473.
- FCC certified.
- DLC Premium qualified, eligible for rebates.
- Suitable for wet locations.

ELECTRICAL

- Standard universal voltage (100-240/277Vac) input, 50/60Hz.
- L70 calculated life: 50,000+ hours.
- 0-10V/ PMW/ Timer dimming, 3 Timer Modes, Dim-to-Off with Standby Power ≤ 0.5W
- Inventronics Constant current driver, 100-277Vac, 50-60Hz.
- High efficiency driver: up to 93.5%, minimum efficiency 87.5%
- Input Surge Protection: 6kV line-line, 10kV line-earth
- Lumileds Luxeon 3030 LEDs, working current 81mA/110W, 110 mA /150W, 130mA/300W. 70pcs per bar.
- Lumileds Luxeon 5050 LEDs, working current 34mA/110W, 46mA /150W, 55Ma/300W. 42pcs per bar.
- Photocell, PIR sensor, 20KV SPD available.

CONSTRUCTION

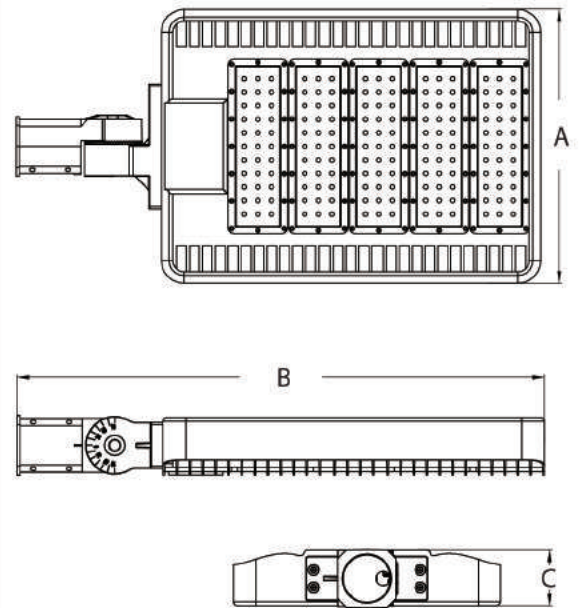
- Designed for commercial and industrial applications, providing cooler operating temperatures, brighter light and longer LED lifespan.
- The housing is made of die-casting aluminum alloy and utilizes external fins ensure greater heat dissipation.
- Anti-corrosion coating.
- Individual bar design, easy maintenance.

up to 170lm/w

IS SERIES



FIXTURE DIMENSIONS



A	B	C
110WIS/150WIS		
300mm	530mm	78mm
300WIS		
360mm	690.15mm	78mm

CERTIFICATIONS/LISTINGS

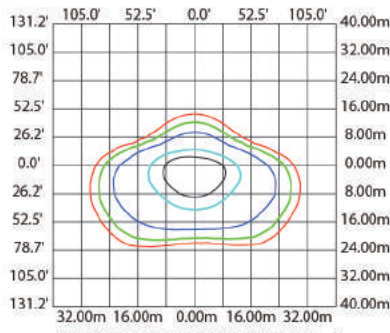
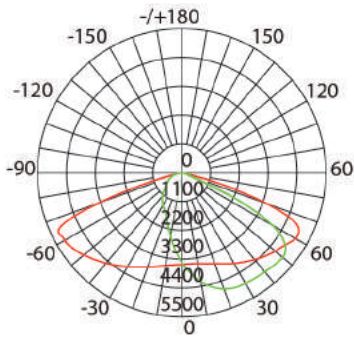


ORDERING INFORMATION

AOK	WATTS	VOLTAGE	LED CHIPS	TYPE OF SENSOR	CCT&CRI	DISTRIBUTION	MOUNT	HOUSING	OPTIONS
	110WIS	NV=100-277V	Lumileds 3030	00=Without sensor	3070=3000K70CRI	T3=Type III	A= Slipfitter	BK=BLACK	10KV SPD
	150WIS	HV=347/480V	Lumileds 5050	SN=Motion sensor	4070=4000K 70CRI	T5=Type V	C= Tunnion Mount	BZ=BRONZE	20KV SPD
	300WIS			PH=Photocell	5070=5000K 70CRI		D= Yoke Mount		
				DV=Dimmable	5770=5700K 70CRI		E=Square Arm Mount		
					3080=3000K 80CRI		F= RoundArm Mount		
					4080=4000K 80CRI				
					5080=5000K 80CRI				
					5780=5700K 80CRI				

PHOTOMETRY

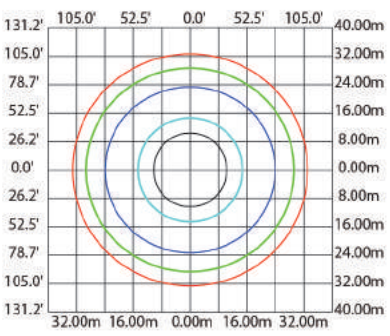
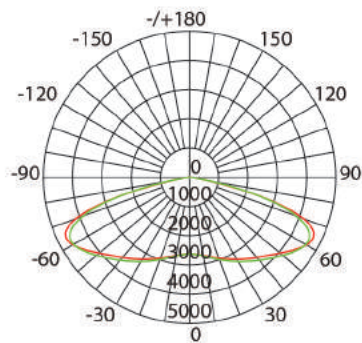
Type III Short



AVERAGE BEAM ANGLE(50%):109.8 DEG
UNIT:cd
— C0/180,146.2deg — C90/270,73.5deg

MOUNTING HEIGHT: 33'(10.0m)
—3% 1.223lx 0.1137fc —30% 12.23lx 1.137fc
—5% 2.039lx 0.1894fc —50% 20.39lx 1.894fc
—10% 4.078lx 0.3789fc

Type V Short



AVERAGE BEAM ANGLE(50%):155.3 DEG
UNIT:cd
— C0/180,154.8deg — C90/270,155.8deg

MOUNTING HEIGHT: 33'(10.0m)
—3% 0.7933lx 0.0737fc —30% 7.933lx 0.737fc
—5% 1.322lx 0.1228fc —50% 13.22lx 1.228fc
—10% 2.644lx 0.2457fc

LIGHT DISTRIBUTION PATTERNS

MODEL	Distribution Type	Delivered Lumen (lm)	Replace MHL	NW	GW
AOK-110WIS	Type III Short	14,515	300W	6.5kg (14.3lbs)	8kg (17.6lbs)
	Type V Short	14,347			
AOK-150WIS	Type III Short	19,187	400W	6.5kg (14.3lbs)	8kg (17.6lbs)
	Type V Short	18,952			
AOK-300WIS	Type III Short	37,707	850W	11kg (24.2lbs)	13.2kg (29.1lbs)
	Type V Short	38,365			

PERFORMANCE

ELECTRICAL DATA

Watts	Lumens	120V	208V	240V	277V
110	14,843	0.92A	0.53A	0.46A	0.40A
150	19,231	1.25A	0.73A	1.25A	0.55A
300	40,540	2.50A	1.45A	0.63A	1.09A



BUILT-IN OCCUPANCY SENSOR



BRACKETS AND ADAPTERS



SLIP FITTER

For 60mm round pole, adjustable



ARM MOUNT

For 4" / 5" / 6" square and round pole



YOKE TRUNION

For wall mount, adjustable



U BRACKET

Used as flood lights

